



Datenblatt - Fiche technique - Data sheet

**11.01.5526**

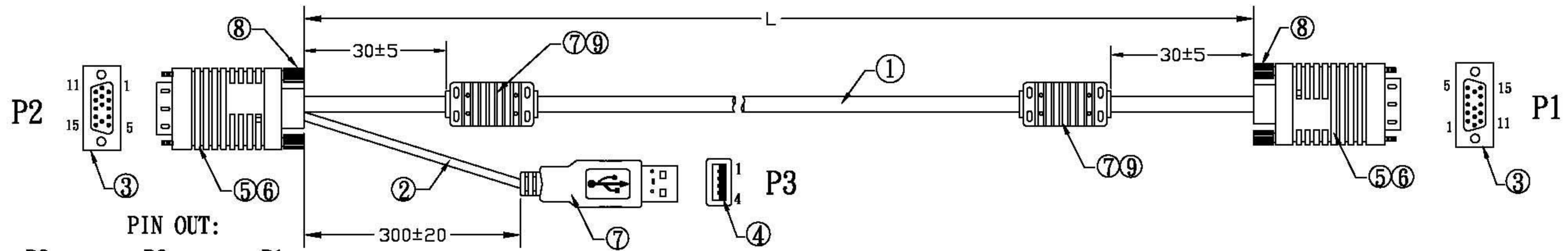


ROLINE KVM-Kabel Switch - PC (USB), 3,0 m, für 14.01.3224 und 14.01.3225

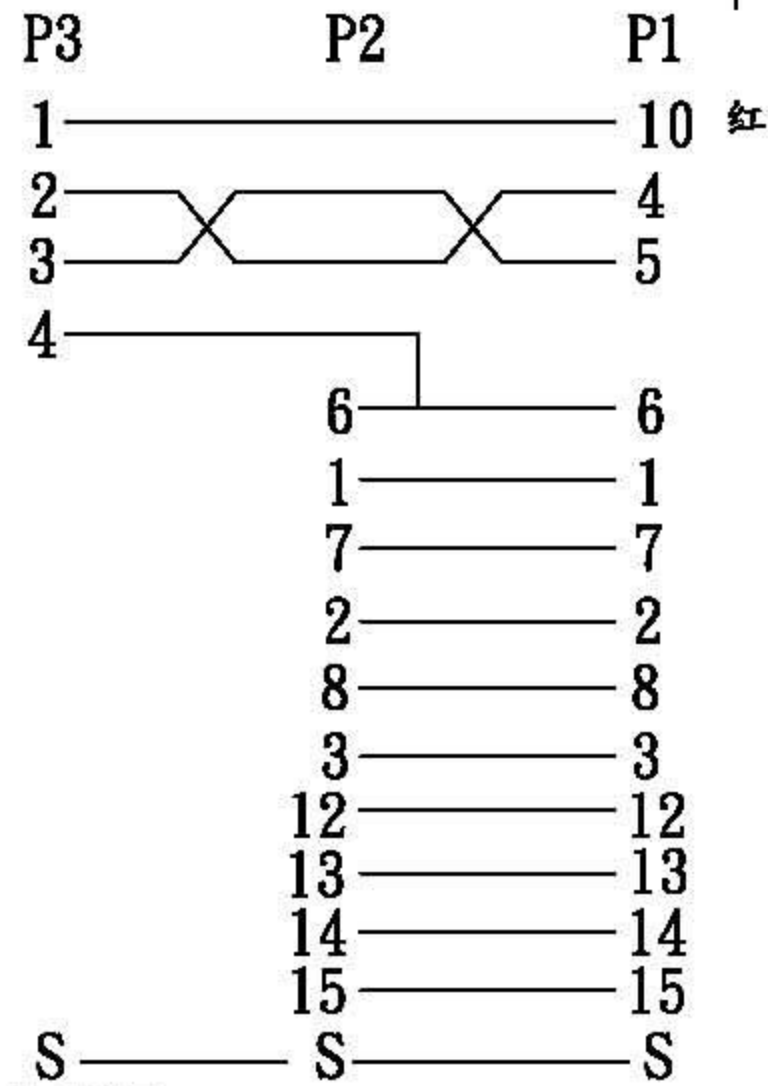
ROLINE Câble KVM Switch - PC (USB), 3,0 m, pour 14.01.3224 et 14.01.3225

ROLINE KVM Cable Switch - PC, USB, 3.0 m, for 14.01.3224 and 14.01.3225

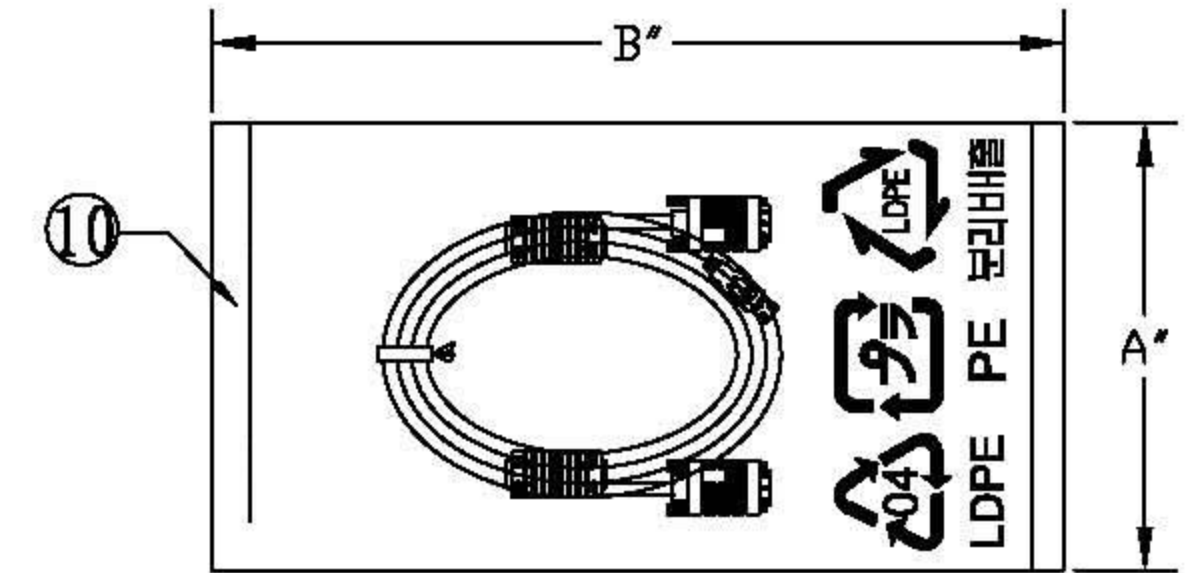
CHANGE VERSION	Description	C		F		I	
A	08/10/04	REL	D	G		J	
B			E	H		K	



PIN OUT:



Item no.	(L)
11.01.5525	1800±50mm
11.01.5526	3000±60mm



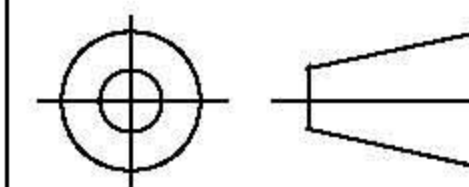
MATERIAL LIST :

NO.	P/NAME	DESCRIPTION
1	CABLE	UL2919 [28AWG(FM-PE)*1C+1+AL+MYLAR]*3+28AWG*5C+[28AWG*1P+AL+S+MYLAR]+AL+1+B OD:7.0±0.15 BEIGE COLOR(B7032)
2	CABLE	UL2725 28#*1P+28#*2C+AL+1+B OD:4.0±0.10 BEIGE COLOR(B7032) L:780mm
3	CON	HD15P MALE CONNECTOR
4	CON	USB A TYPE MALE CONNECTOR
5	PVC	LD PE
6	PVC	45P BLUE(661C)PVC
7	PVC	45P BEIGE COLOR(B7032)PVC
8	SCREW	#4-40 AI4*40.3 BLUE(661C)SCREW
9	CORE	9.5*17.5*28.5mm
10	PACKING	PE BAG:06*A"*B"

MOLD TOOL NO.

HD15P  
A110-101-001  
B120-064-001  
USB AM  
A110-160-001

Rotronic Co., Ltd.



SCALE

UNIT

REV

MM

A

FILE NAME

OW0701018

CUSTOMER

DATE

08/10/04

CUSTOMER P/N

DRAWN BY

Lee

CHECKED BY

CONFIRMED BY

CHECKED BY

APPROVED BY

RoHS